



The Faisca F6 is an intelligent and high-powered architectural marker light. The simple yet elegant design allows for easy and rapid installation. Plug and play electrical connections further contribute to the quick and easy installation process and protect against incorrect connections.

Leader cables of up to 50m (164') give great flexibility when it comes to installation as power supplies and control equipment can be housed well away from the luminaires.

The F6 utilises high quality LEDs achieving high intensity whilst maintaining beautiful, rich and vibrant colours. To the viewer the F6 has perfectly even illumination and colour consistency.

The Faisca can be integrated into a single PowerSync™ 4 LV network alongside other PowerSync™ 4 LV enabled products. This interconnectivity enables the easy deployment of captivating, mixed facades without complication.

From highlighting architectural elements to super smooth crossfades and colour flows, imagination is the only limit to what can be achieved with a combination of luminaires in a PowerSync™ 4 LV network.

Performance

| Source               | Optics                | Lumen Output (lm) | Efficacy (lm/W) |
|----------------------|-----------------------|-------------------|-----------------|
| RGBW with Royal Blue | Transparent Flat Lens | 1,327             | 65.14           |
| RGBW with Royal Blue | Diffused Domed Lens   | 1,000             | 53.9            |
| 4,000K               | Transparent Flat Lens | 1,980             | 98              |
| 4,000K               | Diffused Domed Lens   | 1,540             | 76              |

## Performance

|               |  |
|---------------|--|
| <b>Optics</b> | Diffused Domed Lens<br>Transparent Flat Lens |
|---------------|--|

## Electrical

|                           |   |
|---------------------------|---|
| <b>LED Power</b>          | 16W   |
| <b>Consumption</b>        | ≤20W  |
| <b>Lifetime (L70)</b>     | >60,000 hrs (B10, L70, TM21)                                  |
| <b>Input Voltage</b>      | 30-48V DC   |
| <b>Thermal Management</b> | CoolDrive™ onboard thermal monitoring, control and reporting. |

## Control

|                      |  |
|----------------------|--|
| <b>Interface</b>     | Lumascade PowerSync™ 4 Low voltage   |
| <b>Protocols</b>     | DMX/RDM, ArtNet, PWM <sup>(1)</sup> , sACN, 0-10V (sink or source) <sup>(1)</sup> , Phase dimming <sup>(1)</sup><br><br>For other protocols contact factory<br>Not available for Colour Changing |
| <b>PWM Frequency</b> | 2,000 Hz flicker free dimming to 0.1%  |
| <b>Systems</b>       | Compatible with all third party ArtNet and sACN control systems including Pharos and Madrix  |

## Physical

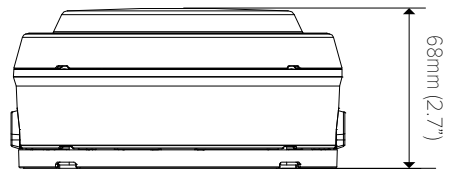
|                                      |  |
|--------------------------------------|--|
| <b>Housing</b>                       | Die cast marine grade aluminum, UV stabilised polymer diffuser.                                  |
| <b>Finish</b>                        | Superior 9-step powder-coating process, including marine epoxy undercoat and polyester top coat. |
| <b>Installation</b>                  | Surface-mounted  |
| <b>Ambient Operating Temperature</b> | -40°C to 50°C (-40°F to 122°F)   |
| <b>Surface Temperature</b>           | ≤50°C (122°F)  |
| <b>Weight</b>                        | 1.3kg (2.9lb)  |

## Certification &amp; Compliance

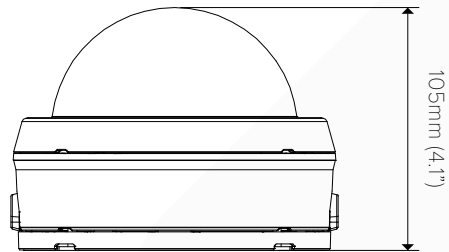
|                       |                             |
|-----------------------|-----------------------------|
| <b>IP Rating</b>      | IP66 / IP67                 |
| <b>IK Rating</b>      | IK10                        |
| <b>Environment</b>    | Dry, Damp, Wet locations    |
| <b>Certifications</b> | ETL, CE, RCM, CCC (pending) |

### Luminaire Dimensions - Standard Configuration

Flat Lens, Transparent (DF)

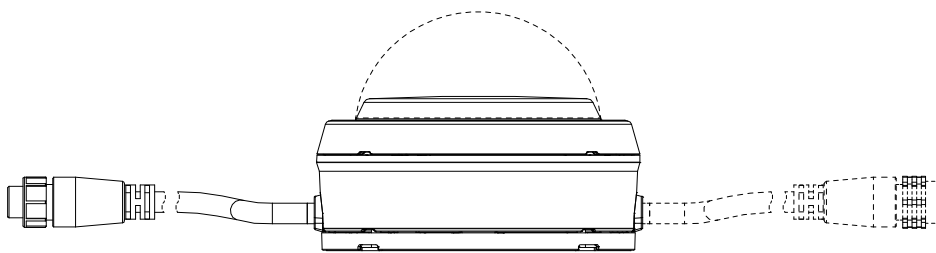


Domed Lens, Diffused (DC)

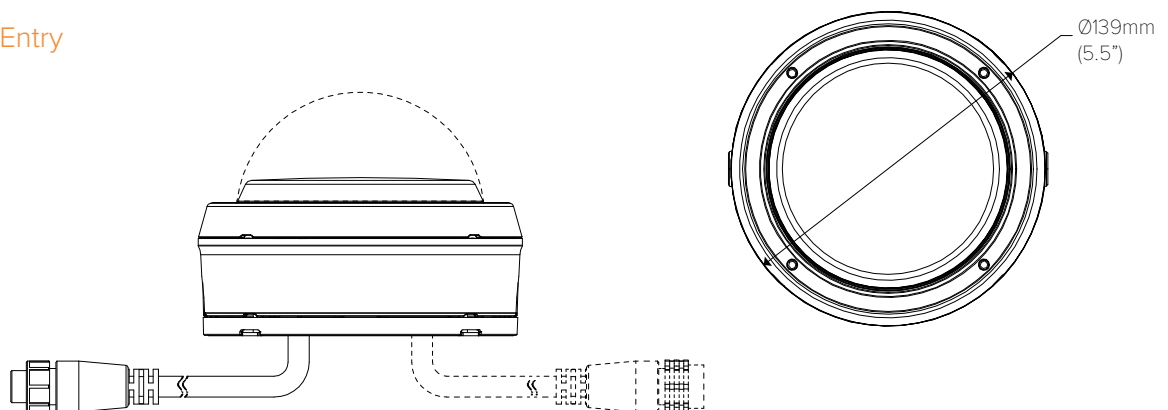


### Luminaire Connection Type - (Connectorised)

Side Entry

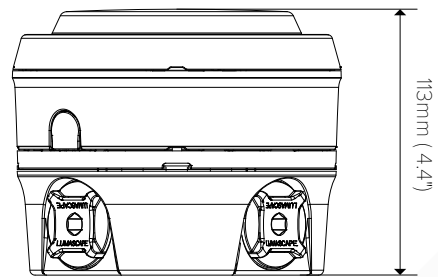


Bottom Entry

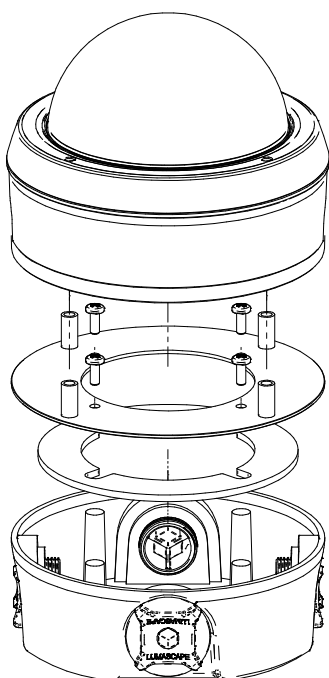
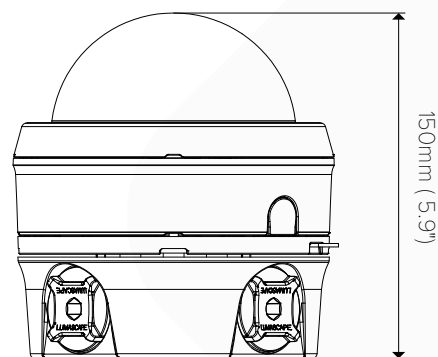


North American configuration, complete with Junction Box Accessory (order separately)

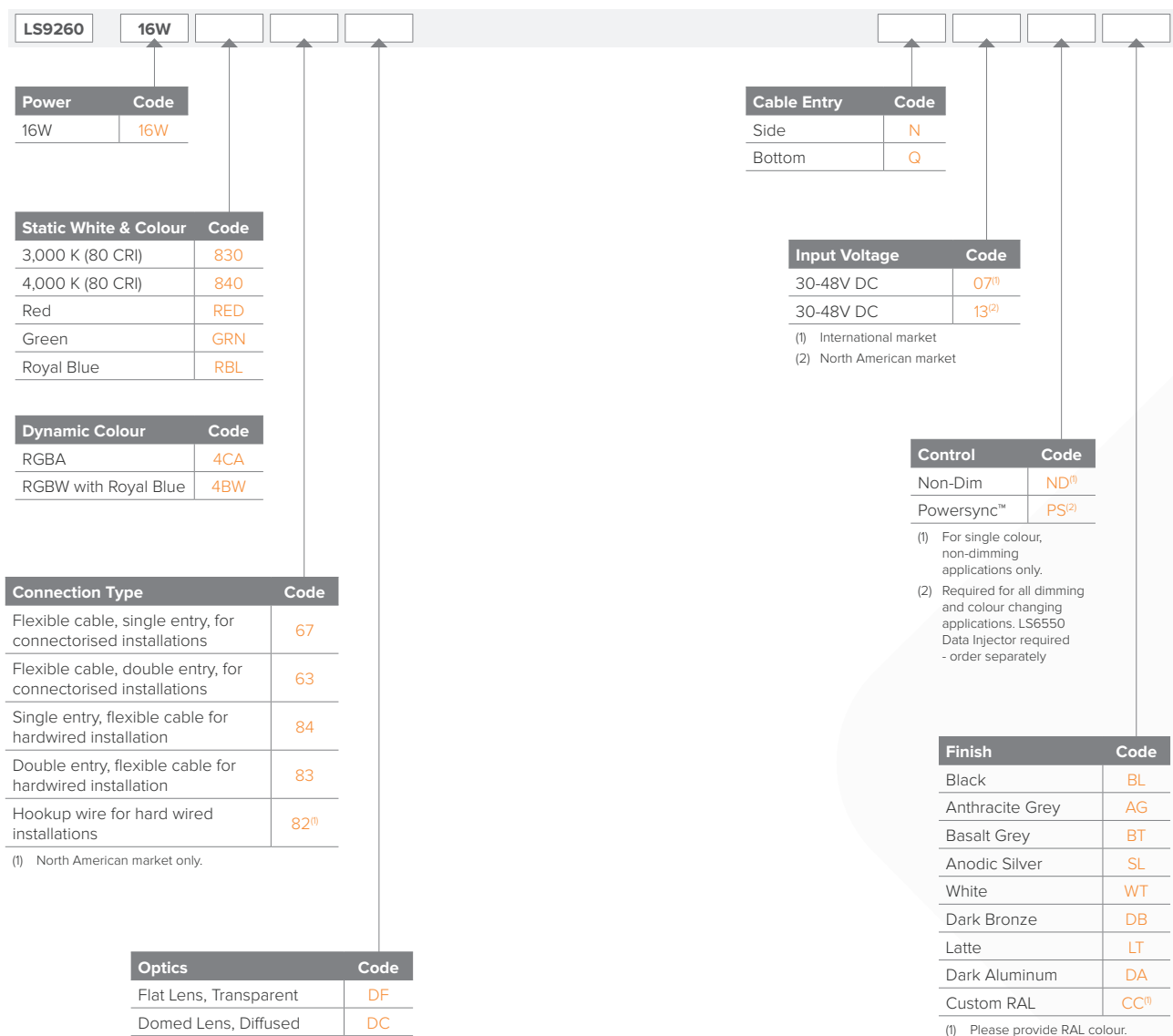
Flat Lens, Transparent (DF)



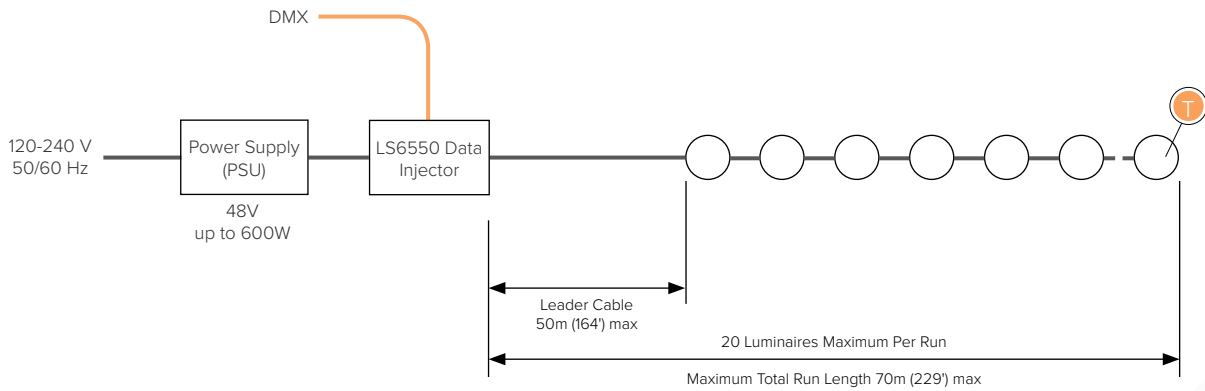
Domed Lens, Diffused (DC)



LS6327 - UL Junction Box Accessory  
Order LS6327 separately  
For use with connection type '82' (Hookup wire)



**Network Topology - PowerSync™ Low Voltage**



- T Terminator**  
Use PowerSync™ terminator, supplied with leader cable to terminate last luminaire in chain.
- I Maximum Current**  
Through Cables & Connectors ≤12.8A.
- Connection Type**  
Circuits are configured as connectorised. For details consult installation instructions and comply with local electrical codes.

**Up to 20 luminaires per 48V PowerSync circuit / LS6550**

| Maximum Circuit Loading - Single Run |  |   |      |      |      |      |
|--------------------------------------|--|---|------|------|------|------|
| LED Power                            | Max Leader Cable Length from LS6550 to first fitting | Maximum number of luminaires / 48V Power Supply |      |      |      |      |
|                                      |  | 120W  | 240W | 320W | 480W | 600W |
| 20W                                  | 15m / 50ft   | 4   | 9    | 12   | 17   | 20   |
|                                      | 30m / 98ft   | 4   | 9    | 11   | 16   | 18   |
|                                      | 50m / 164ft  | 4   | 8    | 10   | 14   | 15   |

Values in the above table show the maximum circuit loading per 48V circuit. Values are based on 1.2m (4.0') spacing. Smaller spacing may effect the circuit loading. Extended fixture cables, inclusion of jumper cables, or longer leader cable will effect loading. Contact factory for details. Circuits can be made up of up to 20 fixtures, up to the maximum circuit loading in the table above. Circuits are limited to maximum 12.8A. For non-continuous runs, contact factory for details. For assistance, contact Lumascape.

NOTE: The above diagrams are intended to show electrical pathways between luminaires and ancillary device. These diagrams are not intended to show type or colour of cord / wire, luminaire input voltage rating, wire gauge or approved use of the cord / wire supplied with luminaires.

**powersync**<sup>tm</sup>

Connectorised  
Accessories

Cables & Connectors (Connection Type 67 & 63 Only)

| Leader & Jumper Cables  | Code       |
|---|------------|
| Leader Cable 10m (33')  | LS6426-033 |
| Leader Cable specify custom length in feet - 30m (100') max.              | LS6426-xxx |
| Jumper Cable 0.3m (1') fixture gap spacing                                | LS6427-001 |
| Jumper Cable 0.6m (2') fixture gap spacing                                | LS6427-002 |
| Jumper Cable 1.2m (4') fixture gap spacing                                | LS6427-004 |
| Jumper Cable 3m (10') fixture gap spacing                                 | LS6427-010 |
| Jumper Cable specify custom fixture gap spacing in feet - 30m (100') max. | LS6427-xxx |

| Terminator                                       | Code   |
|--|--------|
| Terminator for use with connectorised luminaires | LS6437 |

Note: Order separately for spare parts and split runs only.

(1) Terminators are supplied with LS6540.

A terminator ships with every leader cable.

## Wire Colours & Designations

### Low Voltage

| Designation | Colour       |
|-------------|--------------|
| Positive    | Red          |
| Negative    | Black        |
| Data        | Grey / Black |

